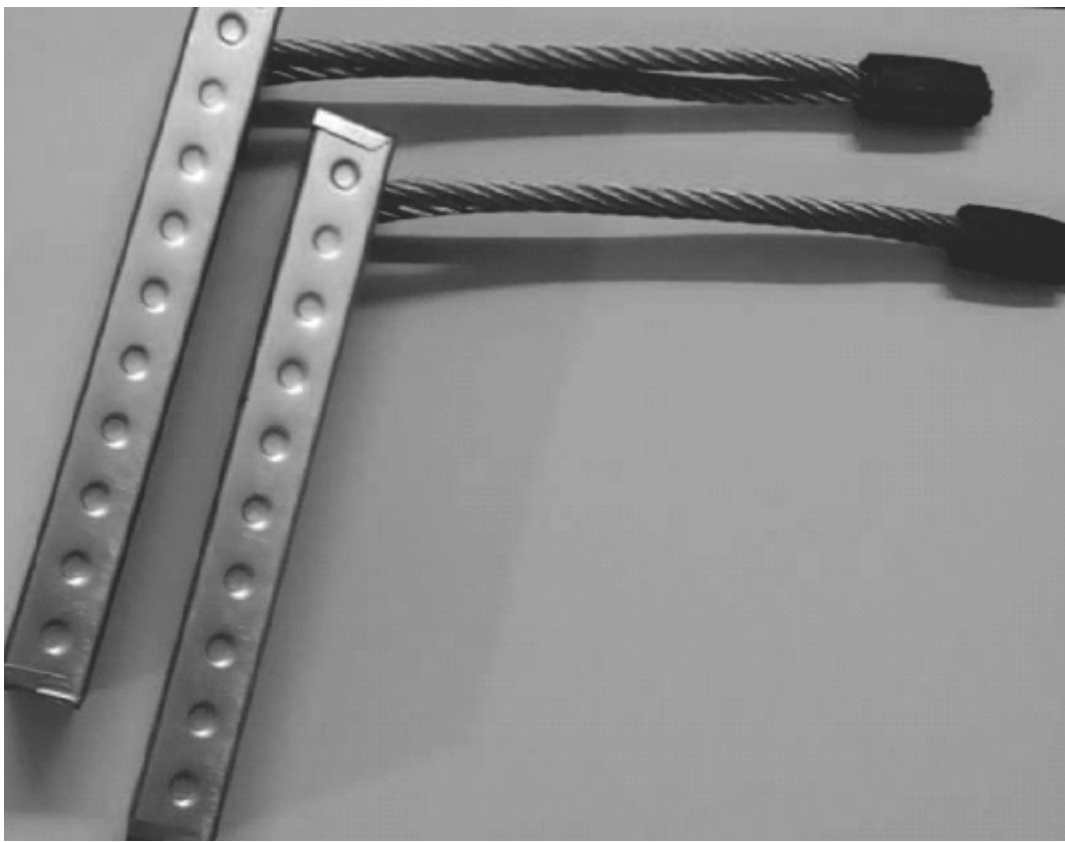


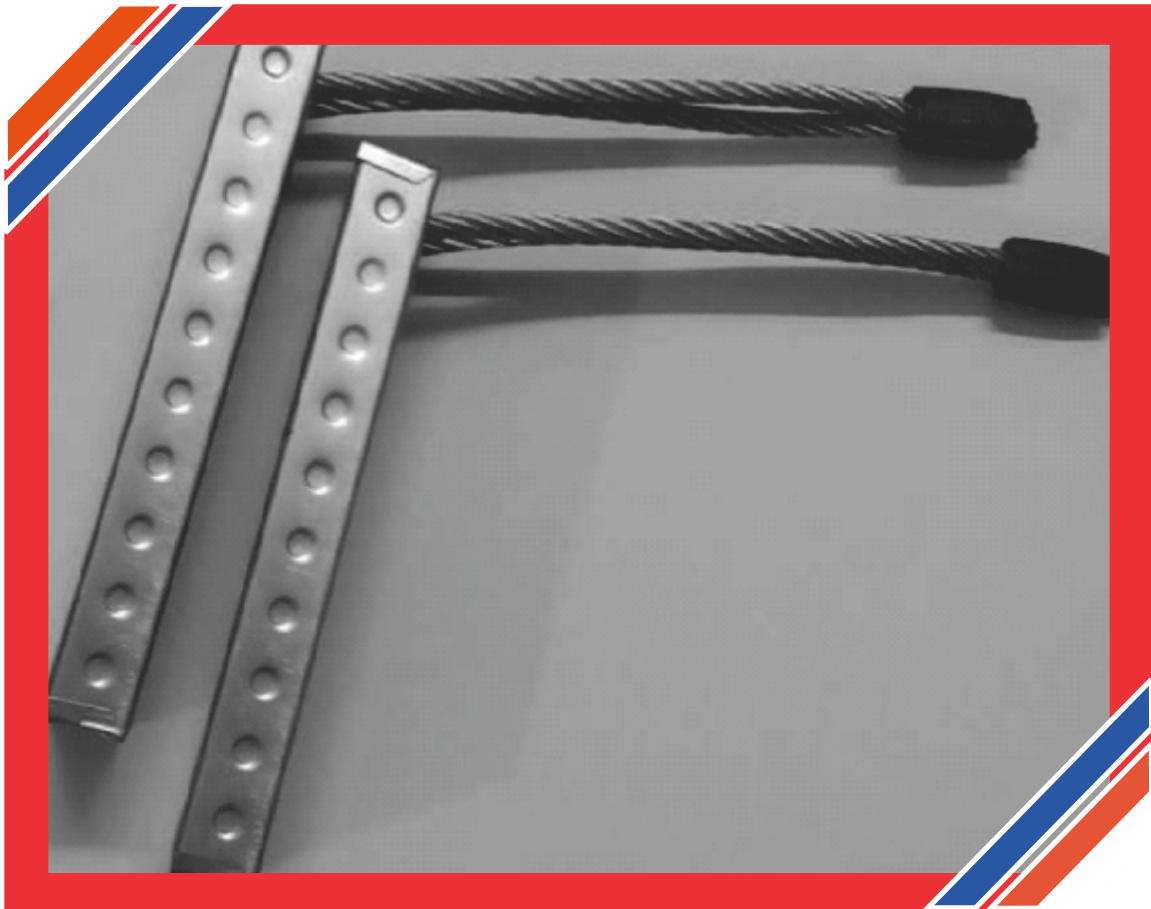
SIL

SINGLE WIRE LOOP BOX



SIL

SINGLE WIRE LOOP BOX



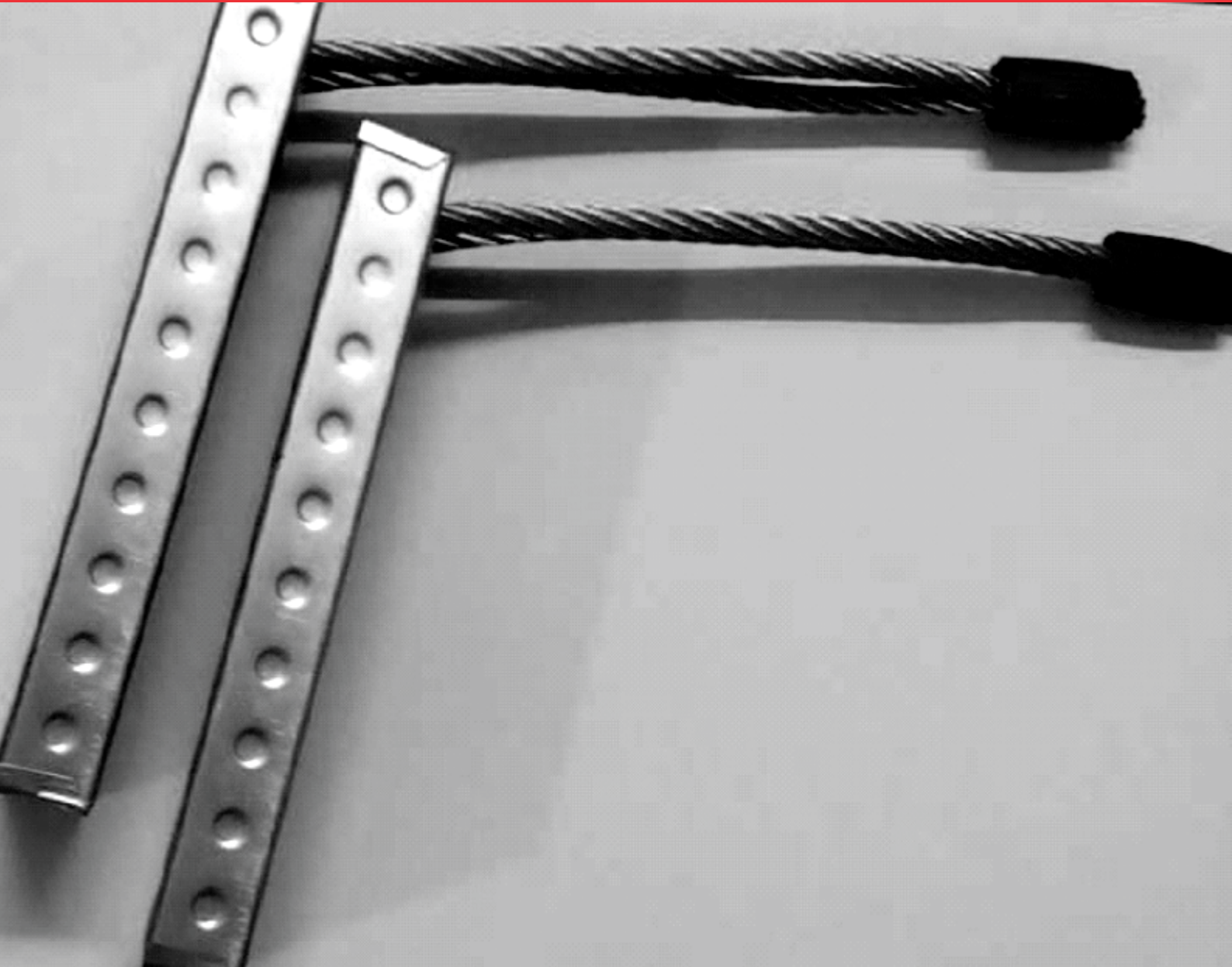
Sanfield [India] Limited.



MAURER

SIL

SINGLE WIRE LOOP BOX

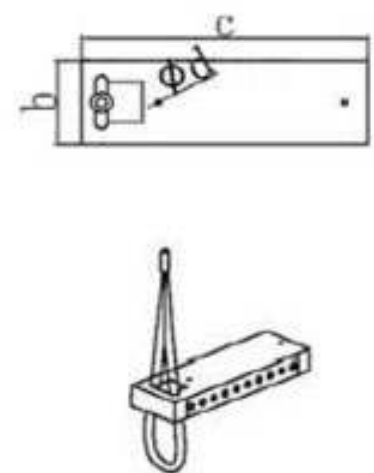
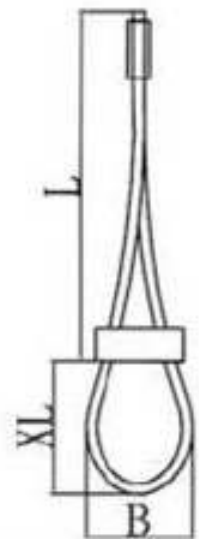
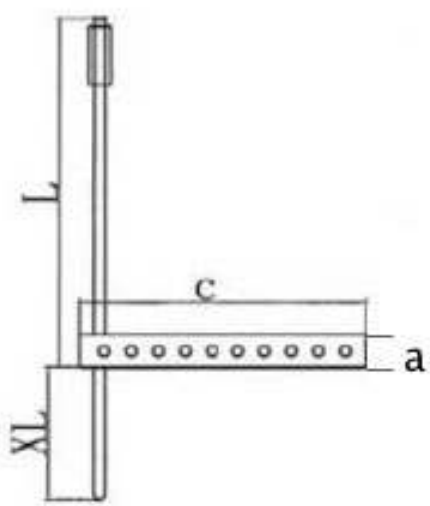


Sanfield [India] Limited.

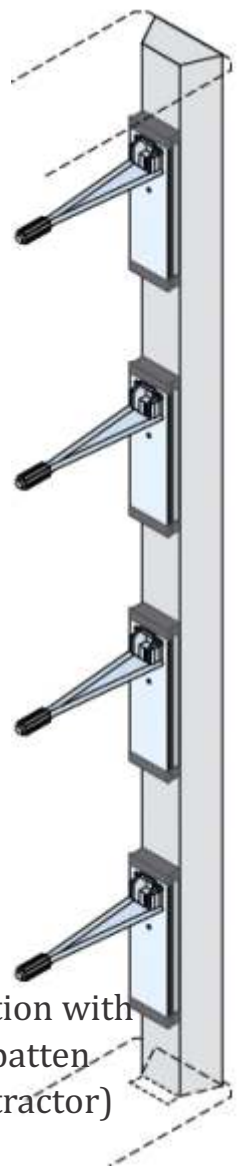


MAURER

- ➔ High Strength Galvanized Wire Loop
- ➔ Pre-punched nail holes for easy fixing to formwork
- ➔ Galvanized steel casing ensuring stability during fixing and concreting
- ➔ For construction junction between precast segments
- ➔ The loops pop-up automatically ensuring time saving; no rebending is required
- ➔ 1870 Mpa wire rope, zinc plated
- ➔ Color coded plastic clips
- ➔ Ideal for butt junction between wall to wall and wall to column
- ➔ Product dimension ideal for logistics and storage

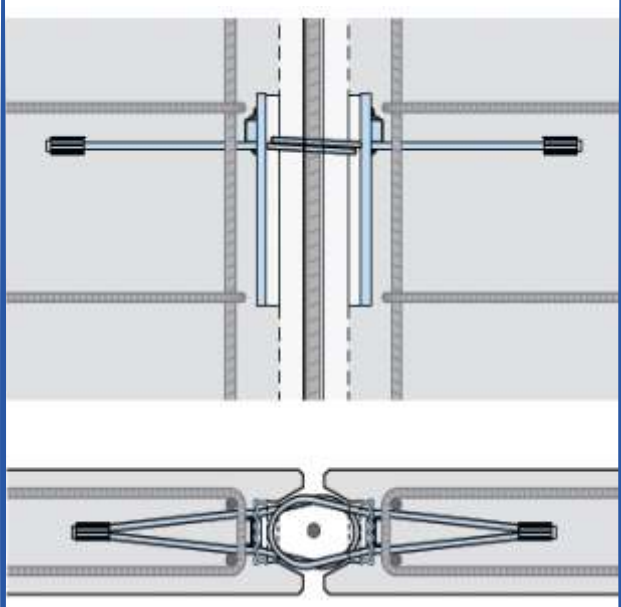


Product	Dimensions (mm)							Color Code
	A	B	C	D	L	XL	B	
SIL-S-80 ➔	20	50	160	3	212	80	60	Black
SIL-S-100 ➔	20	50	160	3	212	100	65	White
SIL-S-120 ➔	20	50	160	3	212	120	70	Blue



Installation with timber batten (by contractor)

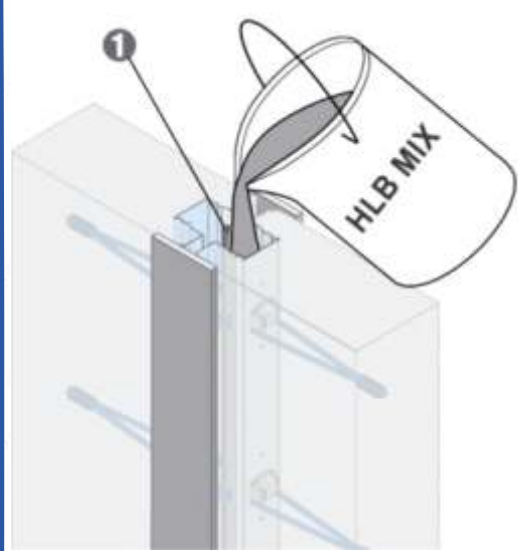
Butt junction wall to wall



Standard Gap Width = 20mm

The joint filling material must be high strength, free flow, non-shrink, cementitious grout

- 1 day compressive strength minimum 400N/mm^2
- 28 days compressive strength 70N/mm^2



Joint filling with high strength, free flow, cementitious grout mix Bar BSt500S diam. 12mm

Fig. 1 : Tension loads perpendicular joint

Bst 500S diam. 12mm

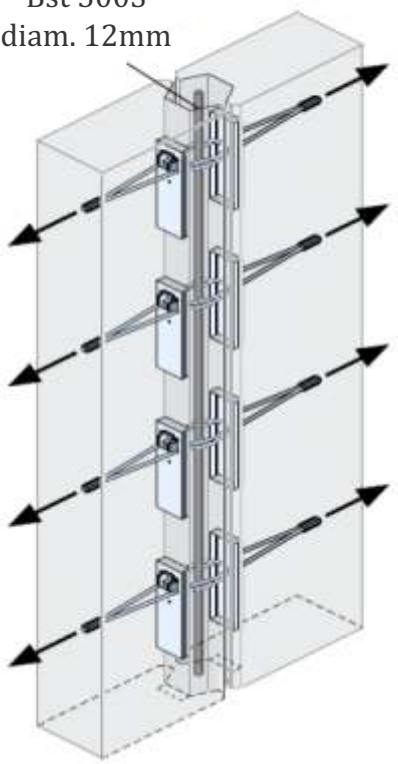


Fig. 2 : Shear load Parallel to the joint

Bar Bst 500S diam. 12mm

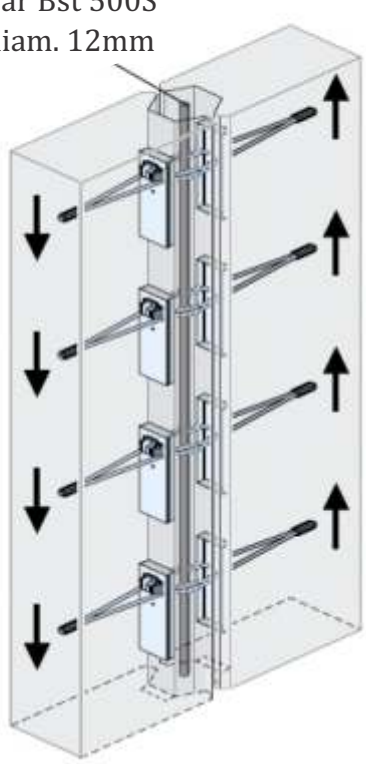
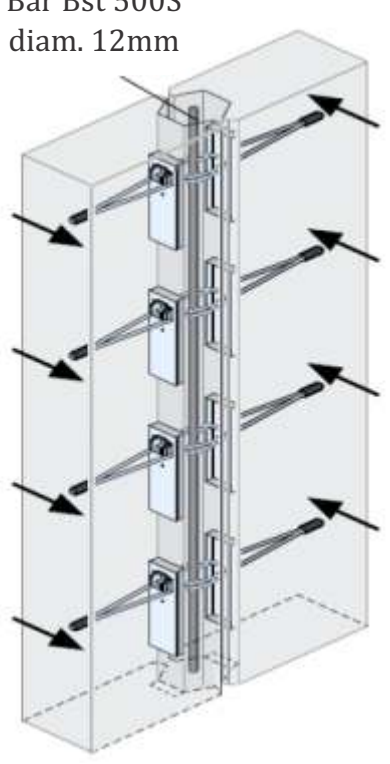


Fig. 3 : Shear load Perpendicular to the joint

Bar Bst 500S diam. 12mm





CONTACT

MUMBAI OFFICE

Hind Saurashtra Industrial Co-op.
Society Ltd,
Unit No.B-17,Marol Naka
Andheri Kurla Road,
Andheri (E),Mumbai-400059
Tel : 022-28500275/276
sanfieldmumbai@sanfieldindia.in

HEAD OFFICE BHOPAL

13-A & 12-D - Sector-D
Industrial Area,Govindpura,
Bhopal – 462 023, India.
Tel : 0755-4233535(30 Lines)
26062661/662
Fax : 0755-4270730,
sanfield@sanfieldindia.in

DELHI OFFICE

B-7, 2nd Floor, South Extension - II,
New Delhi – 110 049
Tel : 011- 46026903
sanfielddelhi@sanfieldindia.in

AHMEDABAD	CHENNAI	HYDERABAD	BANGALORE
sanfieldahmedabad@sanfieldindia.in +918980314418	sanfieldchennai@sanfieldindia.in +919840165062	sanfieldhyderabad@sanfieldindia.in +919977271110	sanfieldbangalore@sanfieldindia.in +9180500 10502



www.sanfieldindia.in